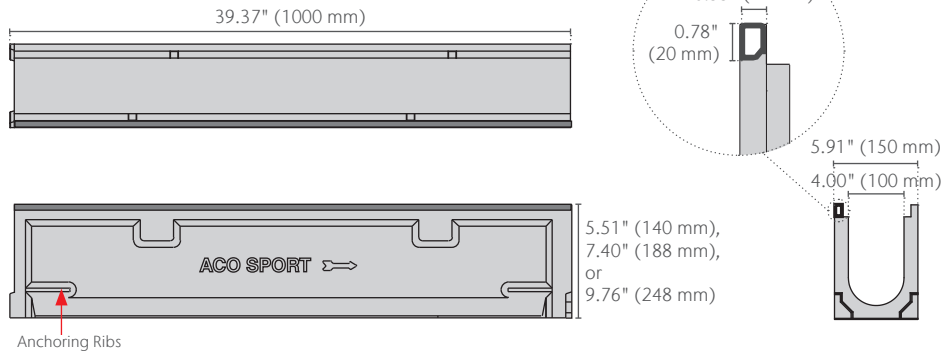


ACO Sport | System 4000

Open Channel Trench Drain System w/ Cellular Rubber Safety Edge

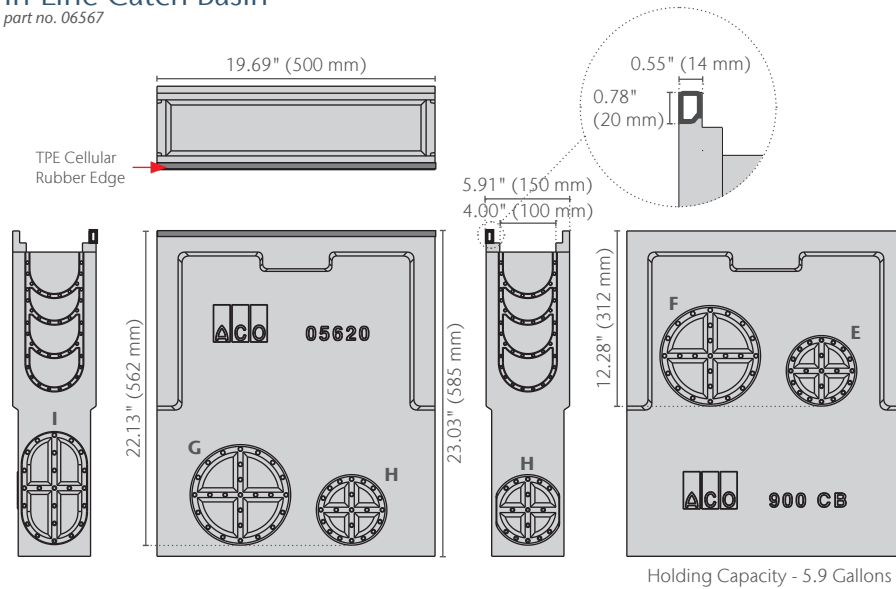


One Meter Channel - (1000 mm)

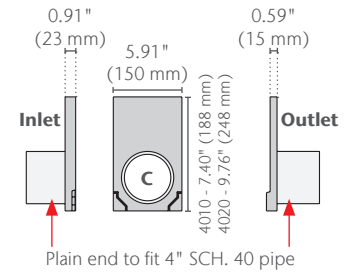


In-Line Catch Basin

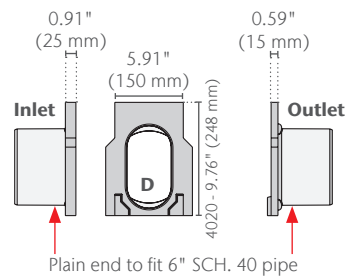
part no. 06567



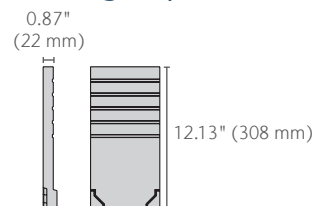
4" Inlet/Outlet Caps



6" Oval Inlet/Outlet Caps



Closing Cap



Outlet Product	Outlet Size (SCH 40)	Invert Depth	GPM	CFS
C Outlet Cap - 4010SE	4" round	6.50	119	0.27
C Outlet Cap - 4020SE	4" round	8.86	143	0.32
D Outlet Cap - 4020SE	6" oval	8.86	220	0.50
E In-Line Catch Basin*	4" round	12.40	175	0.40
F In-Line Catch Basin*	6" round	12.40	379	0.87
G In-Line Catch Basin*	6" round	22.24	530	1.22
H In-Line Catch Basin*	4" round	22.24	242	0.54
I In-Line Catch Basin*	6" oval	22.24	372	0.86

* In-line catch basin flow rate without trash bucket - using trash bucket reduces flow



ACO Sport | System 4000

Open Channel Trench Drain System w/ Cellular Rubber Safety Edge



Product Name	Part No.	Invert Depth in (mm)	Overall Depth in (mm)	Weight lbs
4002SE Constant depth channel - 39.37" (1m)	06564	4.61 (117)	5.51 (140)	32.9
4010SE Constant depth channel - 39.37" (1m)	06565	6.50 (165)	7.40 (188)	40.1
4020SE Constant depth channel - 39.37" (1m)	06566	8.86 (225)	9.76 (248)	49.1
Catch Basin				
In-line catch basin - 19.69" (0.5m)	06567	22.13 (562)	23.03 (585)	62.0
QuickLok bar (removable)	98717	-	-	0.1
Series 900 Plastic Trash Bucket	01498	-	-	1.1
6" oval to round adapter (fits outlets B & I)	95140	-	-	-
Accessories				
Debris strainer for 4" bottom knockout (fits outlet A)	93488	-	-	0.2
Universal closing end cap	137090	-	12.13 (308)	4.5
104-4 Inlet cap with 4" SCH. 40 pipe	137091	6.50 (165)	7.40 (188)	2.6
108-4 Outlet cap with 4" SCH. 40 pipe	137092	6.50 (165)	7.40 (188)	2.0
204-4 Inlet cap with 4" SCH. 40 pipe	137093	8.86 (225)	9.76 (248)	3.7
208-4 Outlet cap with 4" SCH. 40 pipe	137094	8.86 (225)	9.76 (248)	2.6
204-6 Inlet end cap with 6" SCH. 35 pipe	137099	8.86 (225)	9.76 (248)	3.3
208-6 Outlet end cap with 6" SCH. 35 pipe	137095	8.86 (225)	9.76 (248)	2.6

Specification Summary

Part I - General

- 1.1 Related Work** - Work specified in other sections includes but is not limited to: Excavation and backfill, cast-in-place concrete, and mechanical equipment.
- 1.2 System Description** - Interconnecting, polymer concrete modular trench drainage system
- 1.3 Submittals** - On request, shop drawings showing schematic plan of total drainage system listing all parts with center-line dimensions. Copies of manufacturer's recommended installation instructions
- 1.4 Project History** - Manufacturer to provide list of installed projects, if required.
- 1.5 Warranty** - Limited one year product warranty based on installation according to manufacturer's installation instructions (see below).

EN 1433 Load Class C
56,202 lbs — 1,160 psi

Part II - Product

- 2.1 Products** - Manufacturer shall be ACO, Inc.
- 2.2 Physical & Mechanical Characteristics**
 - Overall width - 5.91" (150 mm)
 - Internal width - 4.00" (100 mm)
 - Unit depth - varies - see Product Table
 - Unit length - 39.37" (1000 mm), or 19.69" (500 mm)
 - TPE cellular rubber safety edge
 - Compressive strength - 14,000 psi
 - Flexural strength - 4,000 psi
 - Water absorption rate - <0.1% by weight.
 - ADA compliant to American Disabilities Act of 1990 Section 4.5.4 with appropriate grate (494Q/495Q)
- 2.3 Channel Profile** - Each unit features a full radius in trench bottom, and male to female interconnecting ends. Horizontal cast-in anchoring features on outside walls to ensure maximum mechanical bond to surrounding bedding material.
- 2.4 Catch Basins** - Manufactured from polymer concrete, be one half meter (19.69") in length and include a trash bucket (optional).
- 2.5 Grates** - A choice of QuickLok grates are available. See separate Spec Info sheets for details.

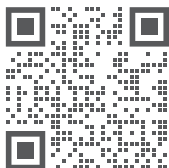
Part III - Installation

- 3.1 Site Preparation** - Excavate area to accommodate ACO SPORT System 4000 channel and to allow a minimum of 4in (100 mm) concrete encasement (recommended 4,000psi) on 3 sides to provide necessary support. Top of channel must be evenly aligned to surface of surrounding slab. See installation section for haunch details for different loadings & pavement materials.
- 3.2 Installation** - Start at outlet or catch basin. Insert channels from above to allow ends to interconnect. Channel sections shall be placed on brick, rebar basket, install device, or low slump concrete slurry to obtain correct finished elevation. Cutting will be made, if required, by masonry or concrete saw. Protect channel from concrete splash during concrete pour. Place concrete in a manner that will not dislodge channels.
- 3.3 Finishing and Clean-up** - Following final set of concrete, remove channel protection and thoroughly flush system to remove debris.
- 3.4 Install in strict accordance with manufacturer's recommendations and drawings. Details available at www.ACOSport.us.**

ACO, Inc.

© January 2026 ACO, Inc.

All reasonable care has been taken in compiling the information in this document. All recommendations and suggestions on the use of ACO products are made without guarantee since the conditions of use are beyond the control of the company. It is the customer's responsibility to ensure that each product is fit for its intended purpose and that the actual conditions of use are suitable. ACO, Inc. reserves the right to change products and specifications without notice.



info@acousa.com
www.acousa.com

